



## PV INVERTER

### Commercial Series / M60U

#### Features

- Two stage topology with wide input operation range, 200 to 1000 Vdc
- Allows 0-90° tilt-mount installation
- Dual MPP tracker inputs
- Superior efficiency performance, 98.8% peak & 98.5% CEC
- NEMA 4X outdoor rated enclosure
- Integral DC Arc fault detector
- AC & DC disconnects
- String monitoring

[www.deltaww.com](http://www.deltaww.com)



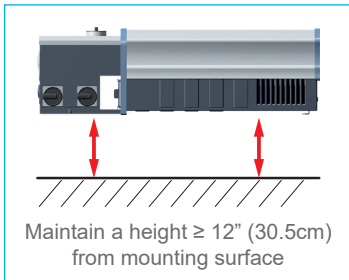
# Product Overview

Delta's M60U is the industry's only 60kW inverter with an optimal cost and performance profile and the highest power density available in a string inverter. Delta's largest string inverters provide unbeaten performance and the industry's lowest Levelized Cost of Energy (LCOE), making them optimal building blocks for Commercial, Industrial and Utility-Scale installations.



## Form Factor

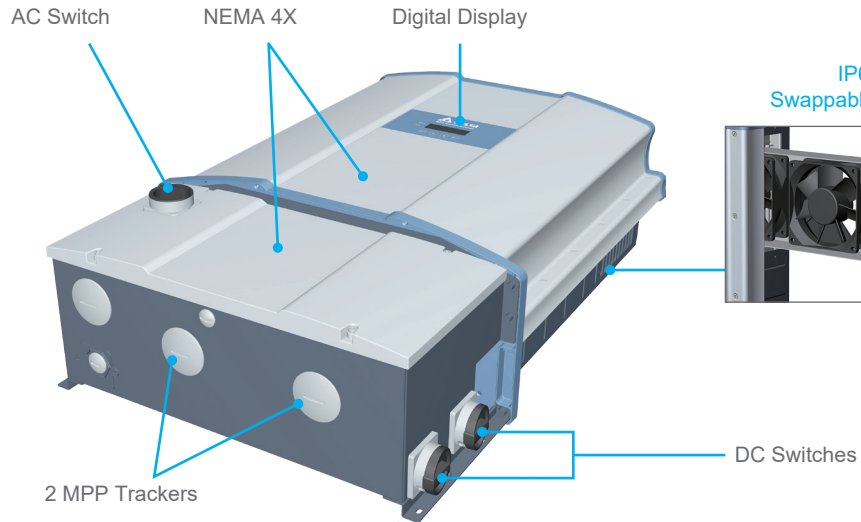
### Horizontal Installation



### String Monitoring Function

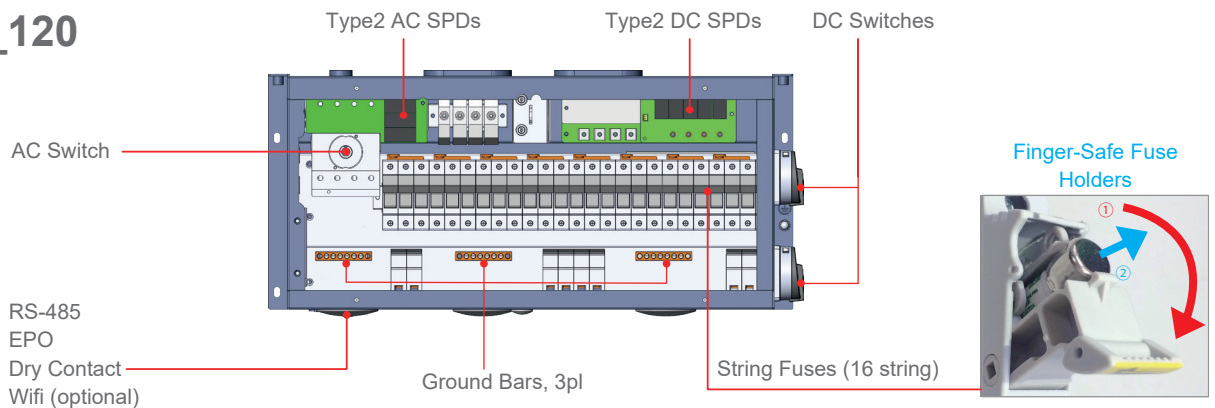
IDC1	(A)
1: 1.6	4: 1.6
2: 1.6	5: 1.7
3: 1.6	6: 1.7

\* For 122 models.

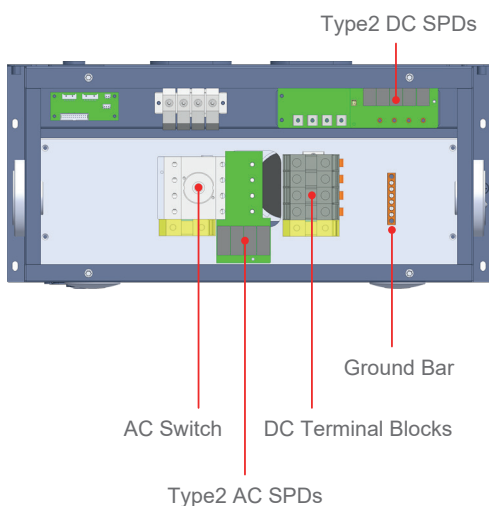


## Wiring Box Configurations

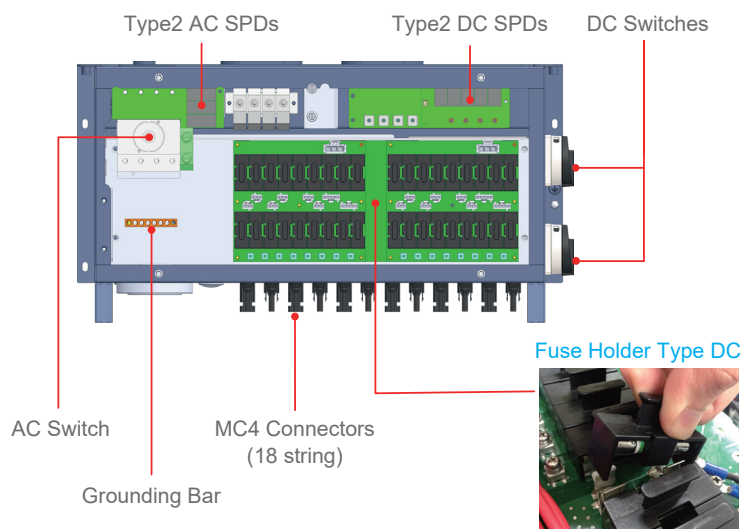
### M60U\_120



### M60U\_121



### M60U\_122



# Specifications

Model Number	M60U_120	M60U_121	M60U_122
<b>DC INPUT</b>			
Max. Input Voltage	1000V (per NEC)		
Operating Voltage Range	200 - 1000V		
Start Voltage	>250V		
VMPP Range for POUT-RATED	520 - 800V		
Rated Voltage	710V		
Number of MPP Trackers	2		
Current Limit, IMP-MAX /MPPT	70A/MPPT		
Allowable Array ISC-MAX /MPPT	108A/MPPT	160A/MPPT	108A/MPPT
Connection Type	16 pr. Fuse holders	2pr. Terminal blocks	18 pr. MC4 connectors
Allowable Conductors	#8~#14 AWG, Cu only	#1~#3/0 AWG, Cu/Al	#10~#12 AWG, Cu only
Surge Protection, DC Side	SPD Type II 10kA (8 x 20us)		
Combiner Fuses	32 x 15A	Not Provisioned	36 x 15A
DC Disconnect Switch	Yes	Not Provisioned	Yes
String Current Monitor	Not Provisioned	Not Provisioned	Yes
<b>AC OUTPUT</b>			
Rated Output Power	60kW <sup>1)</sup>		
Max. Output Power	66kVA <sup>2)</sup>		
Max. Output Current	80A		
Grid Configuration	480/277V (3P-4W/Y) or 480V (3P-3W/Δ)		
Inverter Connection	3W or 4W programmable		
Operating Voltage Range	±10%		
Operating Frequency Range	50/60Hz		
Power Factor	Unity at PRATED; adjustable: [0.8 ind ~0.8 cap]		
Surge Protection, AC Side	SPD Type II 10kA (8 x 20us)		
Ground fault protection	Yes		
THD	<3%		
Connection Type	AC Switch & Terminal block #1~#2/0		
Night Time Consumption	<3W		
<b>EFFICIENCY</b>			
Peak Efficiency	98.8%		
CEC Efficiency	98.5%		
Euro Efficiency	98.5%		
<b>INFORMATION</b>			
Comm Port   Protocol	RS-485   Delta or Sunspec		
Display	20 x 4 line LCD		
<b>REGULATION</b>			
	UL1741 SA, UL1741, UL1998, UL 1699B, IEEE1547, IEEE1547.1, CSA C22.2, FCC Part 15 (Class B)		
<b>GENERAL DATA</b>			
Smart Inverter Functionality	Voltage/Frequency Ride through, Volt/Var, Volt/Watt, Power curtailment, Frequency/Watt		
Operating Temp. Range	-13° to 140°F (-25° to 60°C)		
Protection Level	NEMA 4X		
Operating Elevation	<9800ft (<3000m)		
Cooling	Forced air cooling with Smart Fan Control		
Dimension (in)	24.2 x 35.4 x 10.8		24.2 x 37.4 x 10.8
Weight (lb)	W/ Wiring Box	180.6	171.8
	W/O Wiring Box	149.9	
	Shipping Weight	246.9	251.3

1) @TAMB ≤ 40°C, VIN ≥ 520VDC

2) @TAMB ≤ 40°C, VIN ≥ 600VDC

\*Specifications are subject to change without prior notice





**Delta Electronics (Americas), Ltd**

46101 Fremont Blvd, Fremont, CA 94538

[www.delta-americas.com](http://www.delta-americas.com)

**Customer Service Technical Support**

[PVI.Support.US@deltaww.com](mailto:PVI.Support.US@deltaww.com)

+1-877-442-4832